



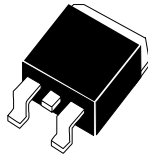
CSHDD16-40C
CSHDD16-60C
CSHDD16-100C

SILICON SCHOTTKY RECTIFIERS
DUAL, COMMON CATHODE
16 AMP, 40 THRU 100 VOLTS

CentralTM
Semiconductor Corp.

FEATURES:

- HIGH RELIABILITY
- LOW FORWARD VOLTAGE
- HIGH CURRENT CAPABILITY
- HIGH SURGE CAPACITY
- UL FLAMMABILITY CLASSIFICATION 94V-0
- SUPERIOR LOT TO LOT CONSISTENCY
- LOW POWER LOSS, HIGH EFFECIENCY
- HIGH VOLTAGE



D²PAK CASE

DESCRIPTION:

The CENTRAL SEMICONDUCTOR CSHDD16-40C Series types are Silicon Schottky Rectifiers designed for surface mount fast switching applications requiring a low forward voltage drop. To order devices on 24mm Tape and Reel (800/13" Reel), add TR13 suffix to part number.

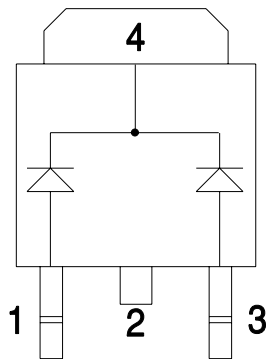
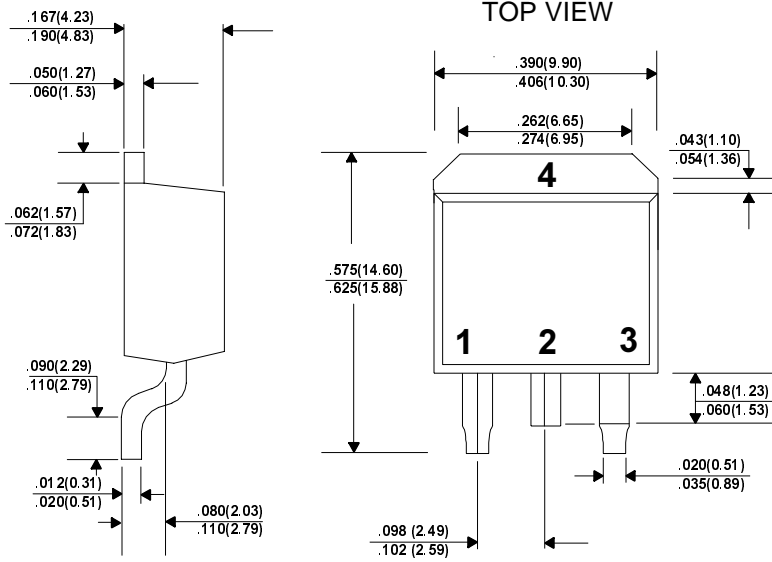
MAXIMUM RATINGS: (T_C=25°C unless otherwise noted)

	SYMBOL	CSHDD16 -40C	CSHDD16 -60C	CSHDD16 -100C	UNITS
Peak Repetitive Reverse Voltage	V _{RRM}	40	60	100	V
DC Blocking Voltage	V _R	40	60	100	V
RMS Reverse Voltage	V _{R(RMS)}	26	42	80	V
Average Forward Current (T _C =90°C)	I _O		16		A
Peak Forward Surge Current (8.3ms)	I _{FSM}		150		A
Critical Rate of Rise of Reverse Voltage	dV/dt		10,000		V/μs
Operating and Storage					
Junction Temperature	T _J , T _{stg}		-65 to +150		°C
Typical Thermal Resistance	Θ _{JC}		2.0		°C/W
Typical Thermal Resistance	Θ _{JA}		50		°C/W

ELECTRICAL CHARACTERISTICS PER DIODE: (T_C=25°C unless otherwise noted)

SYMBOL	TEST CONDITIONS	CSHDD16 -40C		CSHDD16 -60C		CSHDD16 -100		UNITS
		TYP	MAX	TYP	MAX	TYP	MAX	
I _R	V _R =Rated V _{RRM}		100		100		100	μA
I _R	V _R =Rated V _{RRM} , T _C = 125°C		15		15		15	mA
V _F	I _F =8.0A		0.65		0.75		0.85	V
V _F	I _F =8.0A, T _C = 125°C		0.57		0.65		0.75	V
V _F	I _F =16A		0.84		0.95		1.10	V
V _F	I _F =16A, T _C = 125°C		0.72		0.85		1.00	V
C _J	V _R =4.0V, f=1.0MHz	300		300		300		pF

All Dimensions in Inches (mm).



LEAD CODE:

- 1) ANODE#1
- 2) CATHODE
- 3) ANODE #2
- 4) CATHODE

PIN 2 IS COMMON TO THE TAB(4)